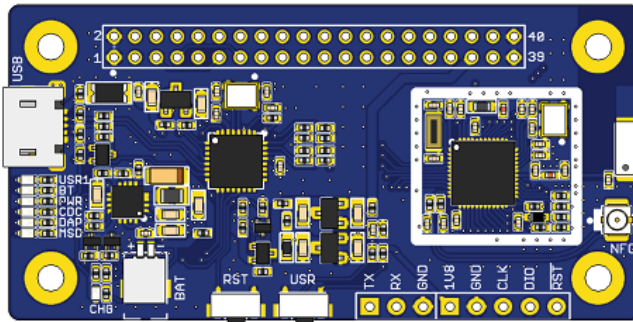


title	category	bzurl	oldwikiname	prodimagename	surveyurl	
BLE Nitrogen	Wireless	https://www.seeedstudio.com/BLE-Nitrogen-p-2711.html		cover.png	https://www.surveymonkey.com/r/BLE_Nitrogen	102



Zephyr applications use the `nrf52_nitrogen` configuration to run on the nRF52 Nitrogen hardware. It provides support for the Nordic Semiconductor nRF52832 ARM Cortex-M4F CPU and the following devices:

- NVIC (Nested Vectored Interrupt Controller)
- SYSTICK (System Tick System Clock)
- UART
- GPIO
- FLASH

The [Nordic Semiconductor Infocenter](#) contains the processor's information and the datasheet.

It is strongly recommended that you update your development environment with the latest [SDK](#) since new functionality is tested against the latest releases.

Get One Now 

##Features

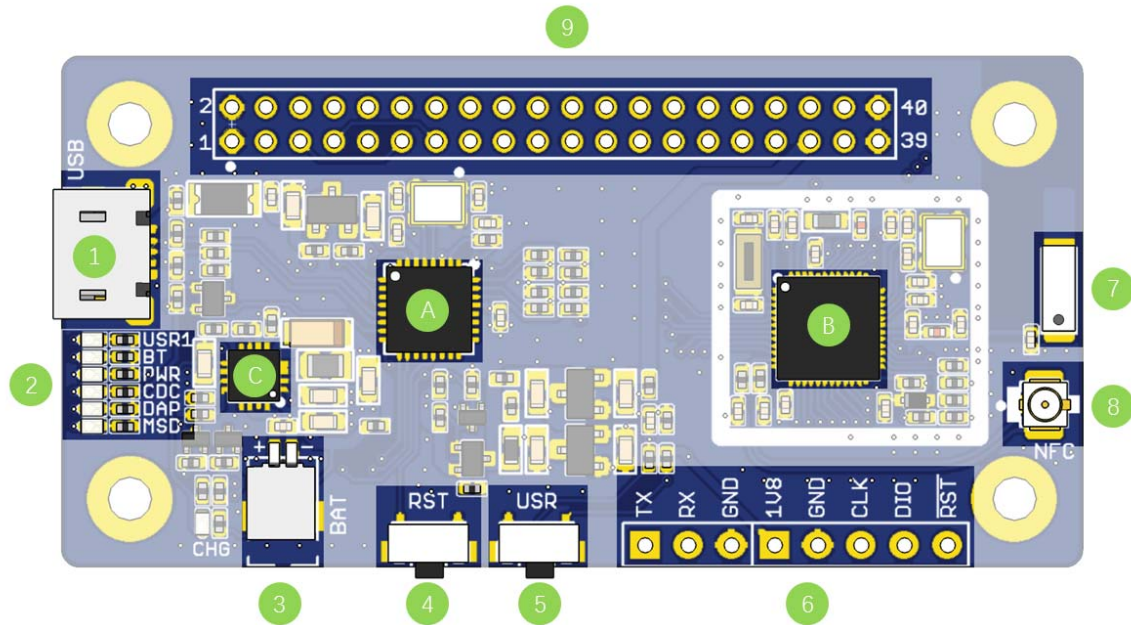
- nRF52832 microcontroller with 512kB Flash, 64kB ram
 - Cortex M4
 - BLE
 - NFC
- USB power supply with fuse protect
- Battery management
 - On board battery charger
 - Battery connector

- Battery charge indicate LED
- LPC11U35 on board SWD debugger
 - SWD debugger firmware
 - USB to Uart
 - Drag and Drop firmware upgrade
 - Auto reset and run after firmware upgraded
- BLE power consumption measurement
 - On board current measure circuit
 - 1uA measurement capability
 - Upto 150mA current measure
- 7 LEDs
 - USR1, BT, PWR, CDC, DAP, MSD, Battery charge
- Two push buttons
 - USR and RESET(also for LPC11U35 firmware upgrade)
- SWD debug connectors
 - nRF52832 SWD connector
 - nRF52832 Uart connector
- On board chip antenna
- 1.8V work voltage
- 2x20pin 2.0mm pitch Low speed connector
- Fully compatible with 96Boards IoT standards

##Specifications

Parameter	Value
Chipset	nRF52832
Clock Speed	64MHz
Flash	512KB
SRAM	96KB
Digital Output Voltage	1.8V
Analog Pins	4
Analog Input Voltage	1.8V
Dimensions	60x30mm

##Hardware Overview



1. Micro USB - for debug, programming, power and battery charge.

2. LED Indicators

- **USR1** - User controlled led, connected to P0.29
- **BT** - Bluetooth indicator. This led will light up when connect to a device.
- **PWR** - Light up when USB or battery inserted.
- **CDC** - Uart data indicator.
- **DAP** - SWD indicator.
- **MSD** - Mass Storage/Drag&Drop indicator;

3. Battery Connector - A JST-1.0 connector for 3.7V lithium battery

- **Charge Indicator**
 - BLINK: No battery inserted
 - ON: Charging
 - OFF: Charged done

4. Reset Button - Press to reset the system

5. User Button - User button, connect to P0.27, pull-up

6. UART for Debug

7. BT Chip antenna

8. NFC antenna UFL connector

9. Pins - Details refer to Pin map

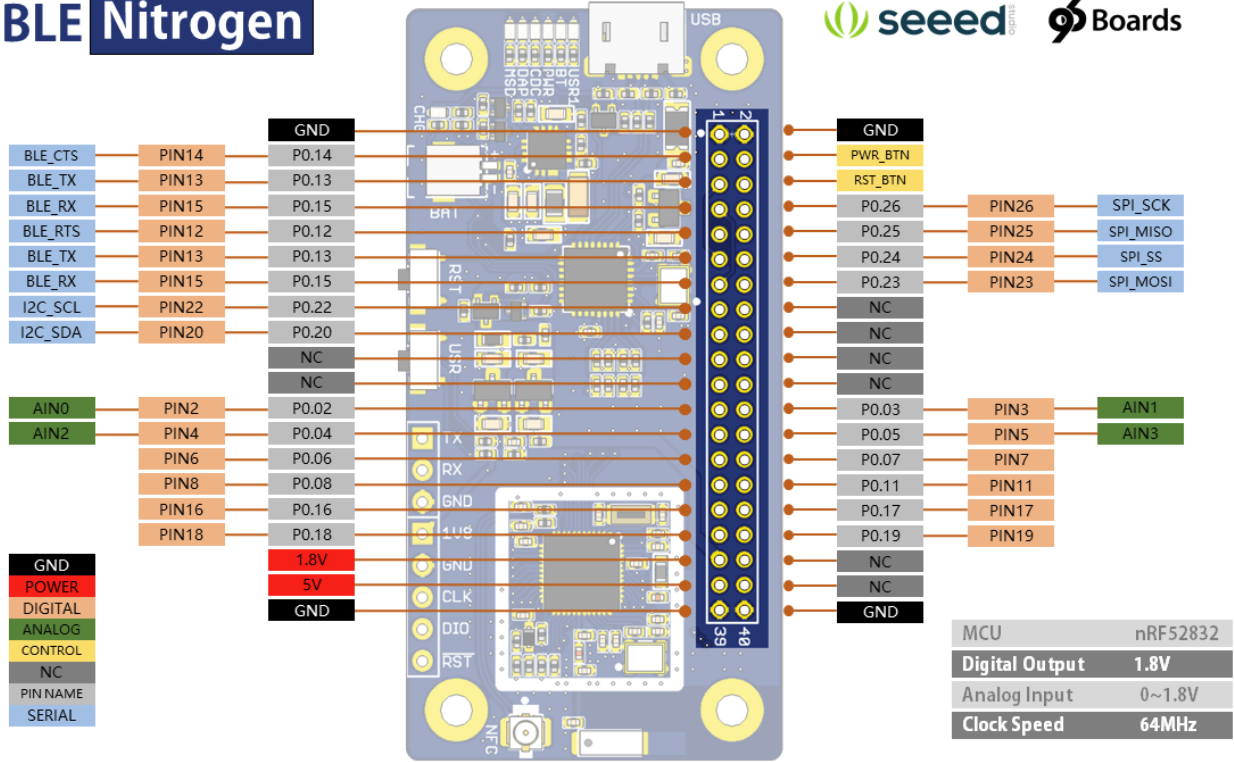
A.IC - NRF52832

B.IC - LPC11U35

C.IC - ETA6003

##PinMap

BLE Nitrogen



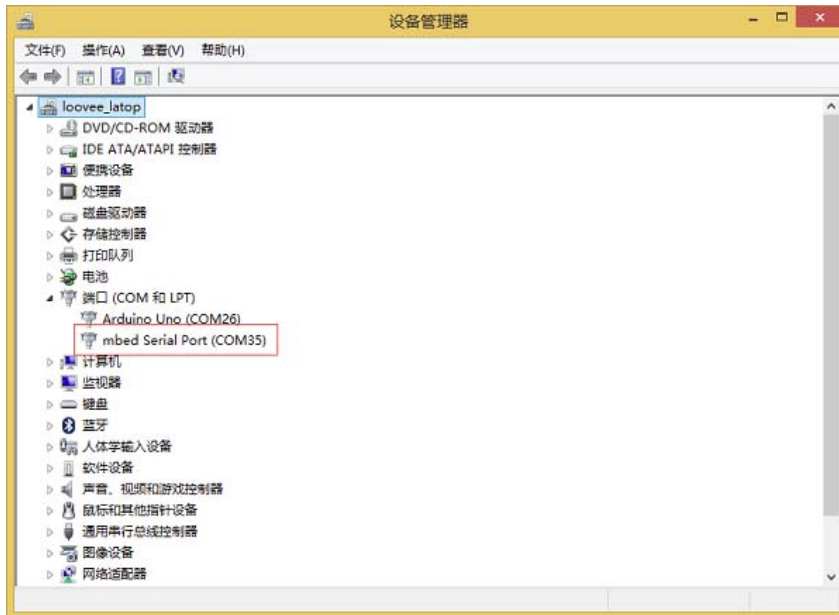
!!!Note Click to view larger image.

##Software

###Install the Driver

Click to download the [driver for Mbed](#).

Insert the board to PC via a micro USB cable, and double click mbedWinSerial_16466.exe to install it, then you will find a new device at your device manager.



###Advanced Guide

BLE Nitrogen Advanced Guide

##Resources

- [Schematics in Eagle File](#)
- [Schematics in PDF](#)

- [Driver for Mbed](#)

